

SEMIAUTOMATIC & HAND HELD CATALOGUE



ADI S.p.A. Via Dell'Economia, 12/16
36016 Thiene (VI) - Italy
Tel. +39 0445.360.244 Fax +39 0445.366.862
Fax Stone Division +39 0445.377.555
www.aditools.com
E-mail: info@aditools.com

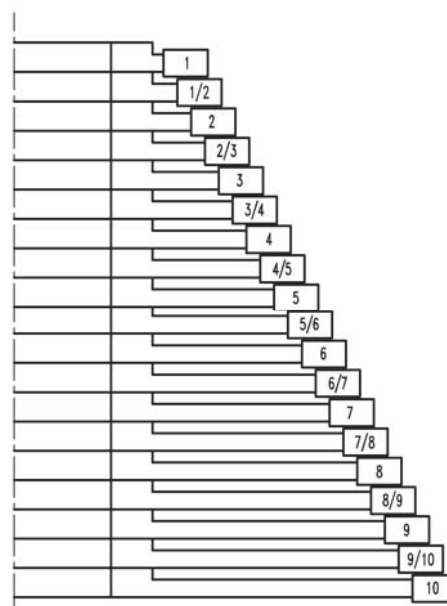
Index

<i>Description</i>	<i>Page</i>
<i>Premium Ninja Adaptor With 35mm Connection</i>	<i>4</i>
<i>Ninja Precutting Blades Combinations</i>	<i>5-7</i>
<i>Adaptors for Semiautomatic Machines</i>	<i>8</i>
<i>Adaptors for Manual Machines</i>	<i>9</i>
<i>Spacers</i>	<i>10</i>
<i>Profiles</i>	<i>11-26</i>



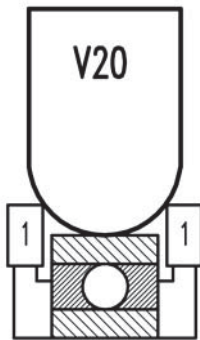
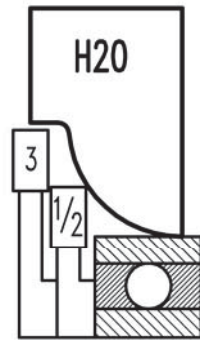
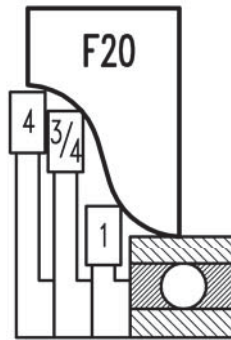
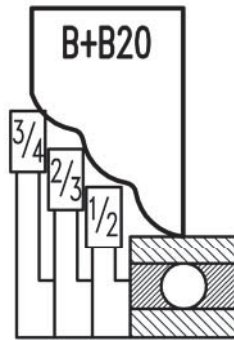
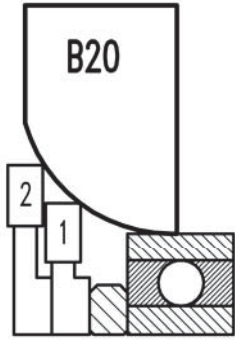
STANDARD BORE 35mm

<i>CODE</i>	<i>BLADE NUMBER</i>	<i>DESCRIPTION</i>
PC12070	1	Ninja Blade D.70
PC12075	1/2	Ninja Blade D.75
PC12080	2	Ninja Blade D.80
PC12085	2/3	Ninja Blade D.85
PC12090	3	Ninja Blade D.90
PC12095	3/4	Ninja Blade D.95
PC12100	4	Ninja Blade D.100
PC12105	4/5	Ninja Blade D.105
PC12110	5	Ninja Blade D.110
PC12115	5/6	Ninja Blade D.115
PC12120	6	Ninja Blade D.120
PC12125	6/7	Ninja Blade D.125
PC12130	7	Ninja Blade D.130
PC12135	7/8	Ninja Blade D.135
PC12140	8	Ninja Blade D.140
PC12145	8/9	Ninja Blade D.145
PC12150	9	Ninja Blade D.150
PC12155	9/10	Ninja Blade D.155
PC12160	10	Ninja Blade D.160



Release 12/11/2012

Ninja
pre-cutting system

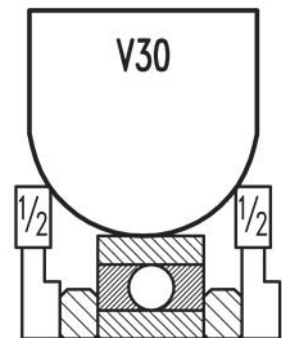
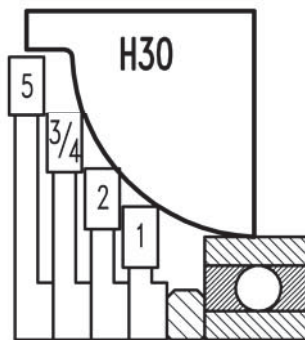
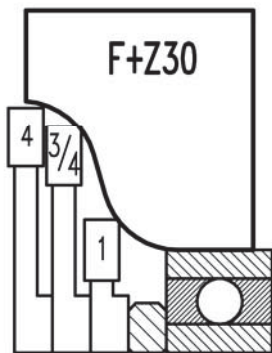
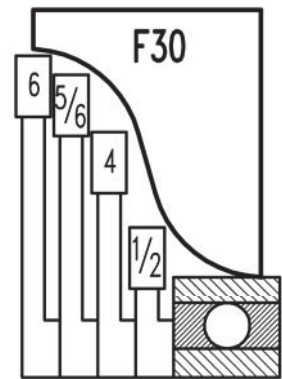
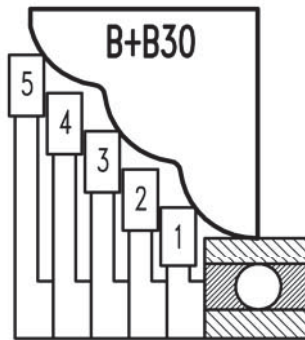
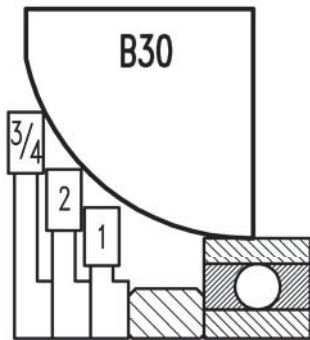


<i>Code</i>	<i>Description</i>
PN01112	EXTERNAL SPACER FOR NINJA D.62mm F=35 (*)

Release 12/11/2012

ADI S.p.A. Via Dell'Economia, 12/16
36016 Thiene (VI) - Italy
Tel. +39 0445.360.244 Fax +39 0445.366.862
Fax Stone Division +39 0445.377.555
www.aditools.com
E-mail: info@aditools.com

Ninja
pre-cutting system

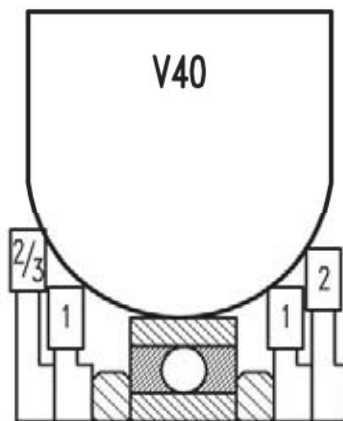
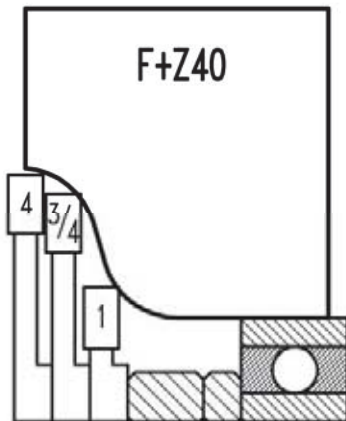
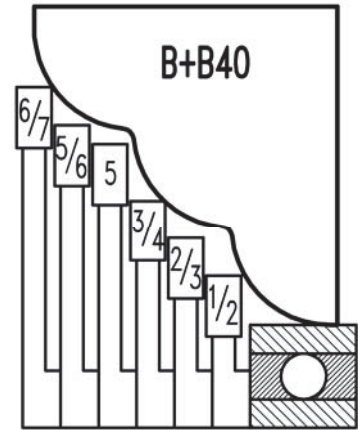
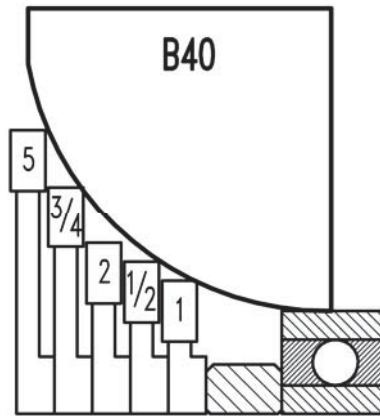
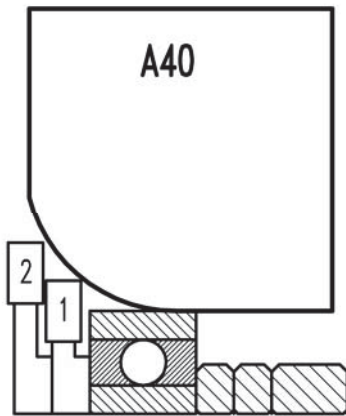


<i>Code</i>	<i>Description</i>
PN01112	EXTERNAL SPACER FOR NINJA D.62mm F=35 (*)

Release 12/11/2012

ADI S.p.A. Via Dell'Economia, 12/16
36016 Thiene (VI) - Italy
Tel. +39 0445.360.244 Fax +39 0445.366.862
Fax Stone Division +39 0445.377.555
www.aditools.com
E-mail: info@aditools.com

Ninja
pre-cutting system

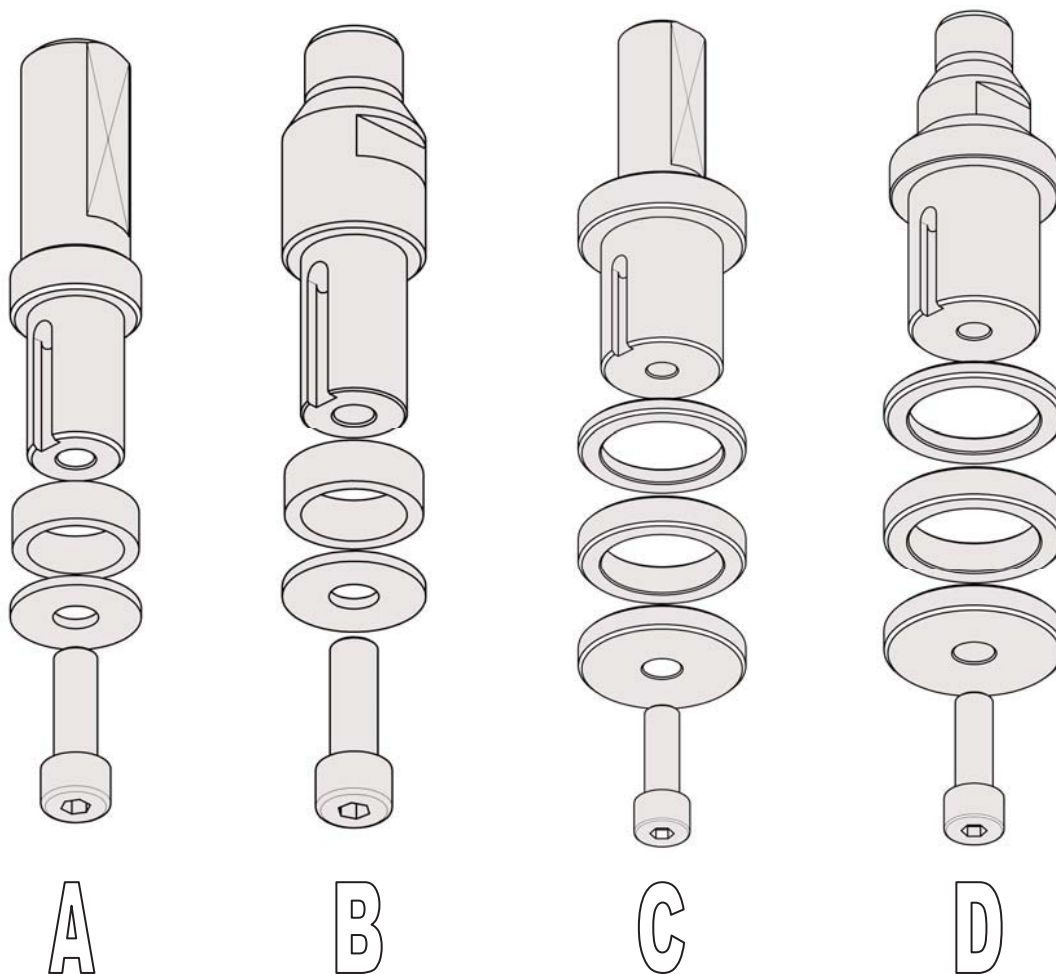


<i>Code</i>	<i>Description</i>
PN01112	EXTERNAL SPACER FOR NINJA D.62mm F=35 (*)

Release 12/11/2012

ADI S.p.A. Via Dell'Economia, 12/16
36016 Thiene (VI) - Italy
Tel. +39 0445.360.244 Fax +39 0445.366.862
Fax Stone Division +39 0445.377.555
www.aditools.com
E-mail: info@aditools.com

ADAPTORS FOR SEMIAUTOMATIC MACHINES
 ADATTATORI PER MACCHINE SEMIAUTOMATICHE

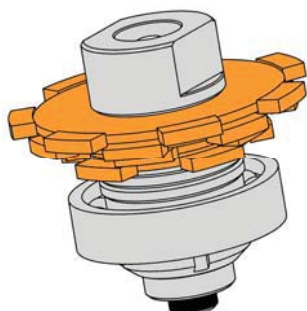


<i>Code</i>	<i>Description</i>	<i>Type</i>
SL02090	Shaft 25 mm - 22,2 mm	A
SL02060	1/2" Gas - 22,2 mm	B
SL02080	Shaft 25 mm - 35 mm	C
SL02091	1/2" Gas - 35 mm	D

Release 12/11/2012

ADAPTOR FOR MANUAL MACHINES
 ADATTATORE PER MACCHINA MANUALE

FOR NINJA



SL02196

FOR POLISHING



SL02196
 Remove Tracer
 (Only for Ninja)

COMPLETE PREMIUM ADAPTER

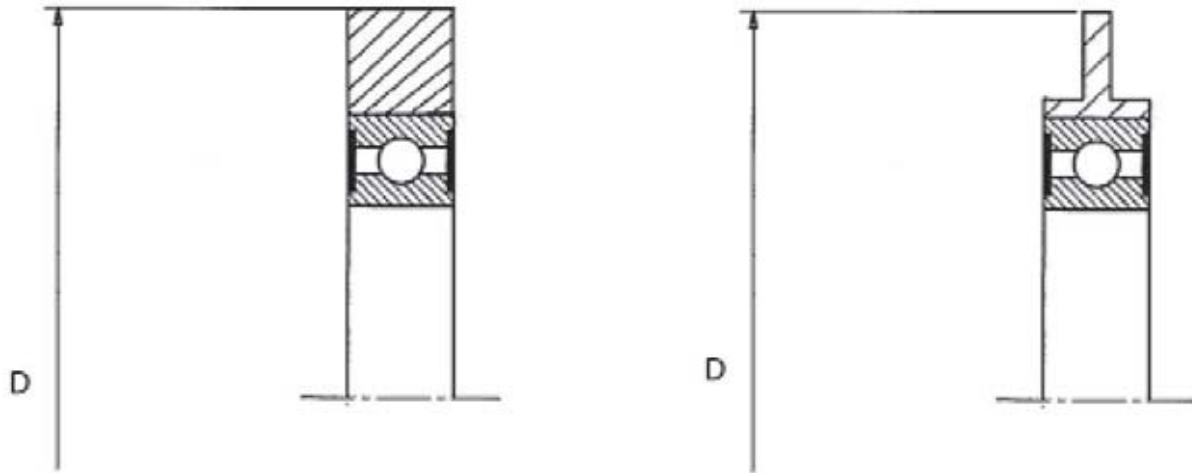
<i>Code</i>	<i>Description</i>
SL02196	MULTIPURPOSE PREMIUM ADAPTOR FOR MANUAL MACHINES WITH 35mm CONNECTION (WITH SCREWS M8 & M10 , 2 SPACERS & 1 Tracer)

SINGLE SPARE PARTS FOR PREMIUM ADAPTER

<i>Code</i>	<i>Description</i>
SL02198	STEEL BODY F=22,2 - 35mm
SL02086	SPACER 48x10 mm
SL02446	SPACER 48x5 mm
SL02592	SELF LOCKING NUT F=M30X1,5
PM14962	SCREW M10 L=70mm
PM14909	SCREW M8 L=70mm
PN01112	EXTERNAL SPACER FOR NINJA D.62mm F=35 (*)

Release 12/11/2012

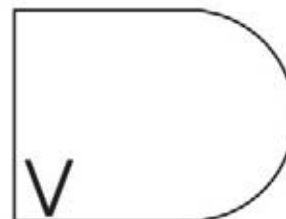
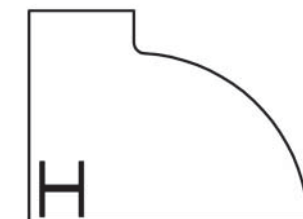
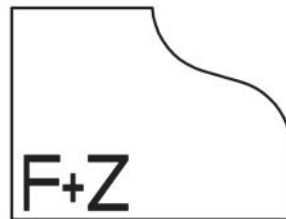
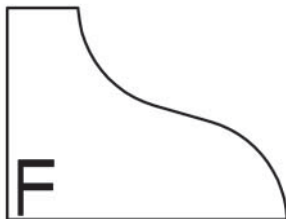
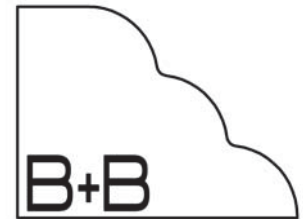
Spacers For 50mm Inner Diameter Wheels
 Tastatori per mole fondo gola 50mm

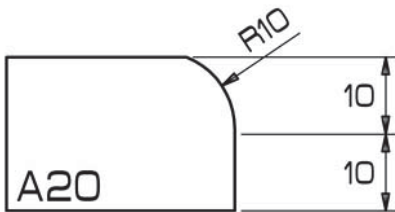


<i>Code</i>	<i>Diameter</i>	<i>Wheels Profile</i>
PN01110	D.51	<i>Open</i>
PN03116	D.50	<i>Open</i>
PN01101	D.51	<i>Closed</i>
PN03102	D.50	<i>Closed</i>

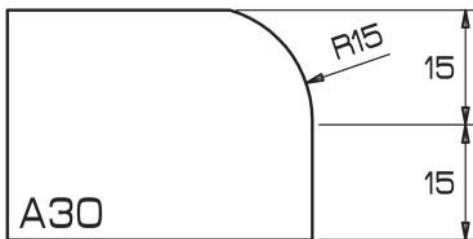
Release 12/11/2012

STANDARD PROFILES

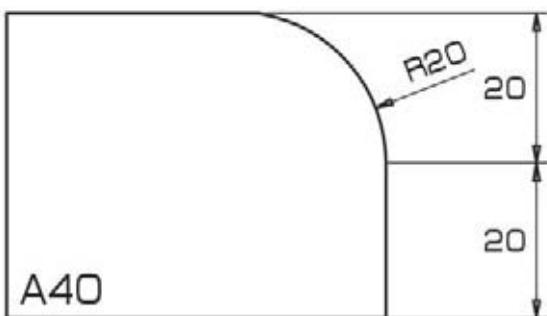




CODICE CODE	TIPO MOLA WHEEL TYPE	DIAMETRO DIAMETER	POS
PN41001	Segmented with Tracer Bore 22,2mm <i>A settori con Tastatore F=22,2</i>	50Int	Pos.1
PN42001	Continuous Rim with Tracer Bore 22,2mm <i>Fascia Continua con Tastatore F=22,2</i>		Pos.2
PB123152	Continuous Rim Bore 35mm <i>Fascia Continua F=35mm</i>	70Int	Pos.3
PB123153	Continuous Rim Bore 35mm <i>Fascia Continua F=35mm</i>		Pos.4
PB69001	<i>Magic Bore 35mm</i>	67Int	Pos.5
PB69002	<i>Magic Bore 35mm</i>		Pos.6
PB02002	<i>Express Bore 35mm</i>	60Int	Pos.6
PB02003	<i>Express Bore 35mm</i>		Pos.7

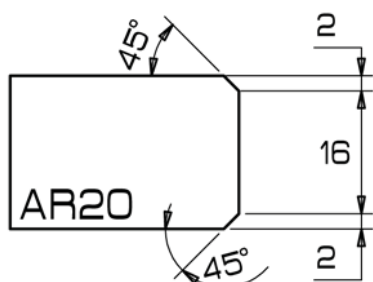


CODICE CODE	TIPO MOLA WHEEL TYPE	DIAMETRO DIAMETER	POS
PN41002	Segmented with Tracer Bore 22,2mm <i>A settori con Tastatore F=22,2</i>	50Int	Pos.1
PN42002	Continuous Rim with Tracer Bore 22,2mm <i>Fascia Continua con Tastatore F=22,2</i>		Pos.2
PB122628	Continuous Rim Bore 35mm <i>Fascia Continua F=35mm</i>	58Int	Pos.3
PB122839	Continuous Rim Bore 35mm <i>Fascia Continua F=35mm</i>		Pos.4
PB69004	<i>Magic Bore 35mm</i>	61Int	Pos.5
PB69005	<i>Magic Bore 35mm</i>		Pos.6
PB02005	<i>Express Bore 35mm</i>	60Int	Pos.6
PB02006	<i>Express Bore 35mm</i>		Pos.7

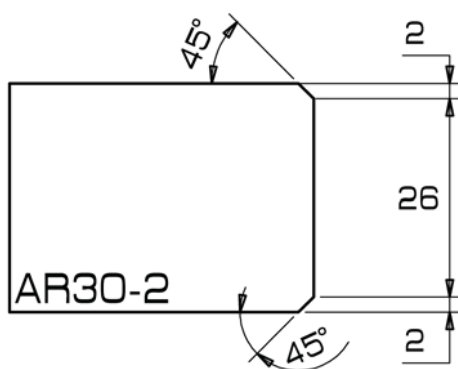


CODICE CODE	TIPO MOLA WHEEL TYPE	DIAMETRO DIAMETER	POS
PN41003	Segmented with Tracer Bore 22,2mm <i>A settori con Tastatore F=22,2</i>	50Int	Pos.1
PN42003	Continuous Rim with Tracer Bore 22,2mm <i>Fascia Continua con Tastatore F=22,2</i>		Pos.2
PB122845	Continuous Rim Bore 35mm <i>Fascia Continua F=35mm</i>	55Int	Pos.3
PB122846	Continuous Rim Bore 35mm <i>Fascia Continua F=35mm</i>		Pos.4
PB69007	<i>Magic Bore 35mm</i>	70Int	Pos.5
PB69008	<i>Magic Bore 35mm</i>		Pos.6
PB02011	<i>Express Bore 35mm</i>	60Int	Pos.6
PB02012	<i>Express Bore 35mm</i>		Pos.7

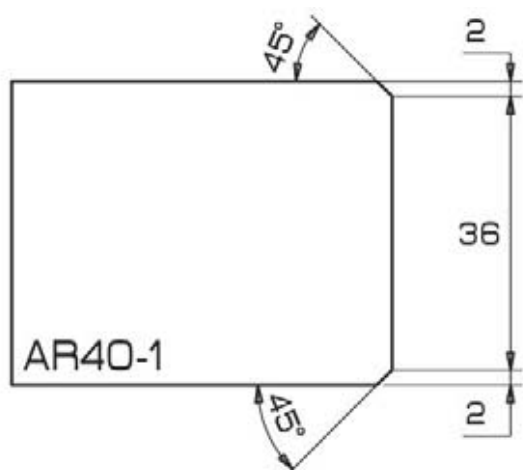
Release 12/11/2012



CODICE CODE	TIPO MOLA WHEEL TYPE	DIAMETRO DIAMETER	POS
PN41004	Segmented with Tracer Bore 22,2mm <i>A settori con Tastatore F=22,2</i>	50Int	Pos.1
PN42004	Continuous Rim with Tracer Bore 22,2mm <i>Fascia Continua con Tastatore F=22,2</i>		Pos.2
PB122849	Continuous Rim Bore 35mm <i>Fascia Continua F=35mm</i>	70Int	Pos.3
PB122850	Continuous Rim Bore 35mm <i>Fascia Continua F=35mm</i>		Pos.4
PB69154	<i>Magic Bore 35mm</i>	72Int	Pos.5
PB69155	<i>Magic Bore 35mm</i>		Pos.6
PB02014	<i>Express Bore 35mm</i>	60Int	Pos.6
PB02015	<i>Express Bore 35mm</i>		Pos.7

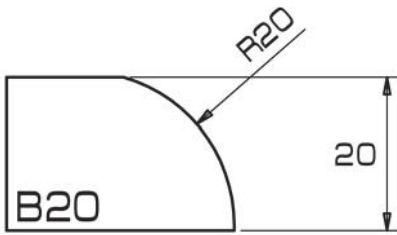


CODICE CODE	TIPO MOLA WHEEL TYPE	DIAMETRO DIAMETER	POS
PN41005	Segmented with Tracer Bore 22,2mm <i>A settori con Tastatore F=22,2</i>	50Int	Pos.1
PN42005	Continuous Rim with Tracer Bore 22,2mm <i>Fascia Continua con Tastatore F=22,2</i>		Pos.2
PB123498	Continuous Rim Bore 35mm <i>Fascia Continua F=35mm</i>	70Int	Pos.3
PB123499	Continuous Rim Bore 35mm <i>Fascia Continua F=35mm</i>		Pos.4
PB69163	<i>Magic Bore 35mm</i>	70Int	Pos.5
PB69164	<i>Magic Bore 35mm</i>		Pos.6
PB02020	<i>Express Bore 35mm</i>	60Int	Pos.6
PB02021	<i>Express Bore 35mm</i>		Pos.7

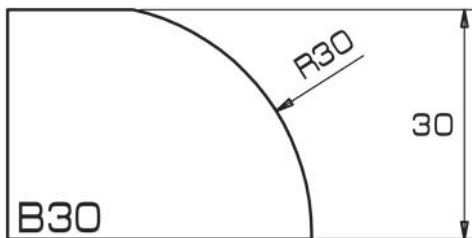


CODICE CODE	TIPO MOLA WHEEL TYPE	DIAMETRO DIAMETER	POS
PN41006	Segmented with Tracer Bore 22,2mm <i>A settori con Tastatore F=22,2</i>	50Int	Pos.1
PN42006	Continuous Rim with Tracer Bore 22,2mm <i>Fascia Continua con Tastatore F=22,2</i>		Pos.2
PB123038	Continuous Rim Bore 35mm <i>Fascia Continua F=35mm</i>	70Int	Pos.3
PB123039	Continuous Rim Bore 35mm <i>Fascia Continua F=35mm</i>		Pos.4
PB69166	<i>Magic Bore 35mm</i>	71Int	Pos.5
PB69167	<i>Magic Bore 35mm</i>		Pos.6
PB02026	<i>Express Bore 35mm</i>	60Int	Pos.6
PB02027	<i>Express Bore 35mm</i>		Pos.7

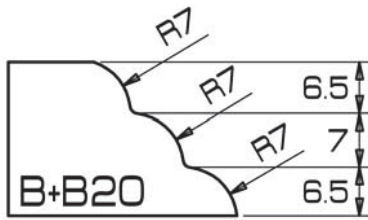
Release 12/11/2012



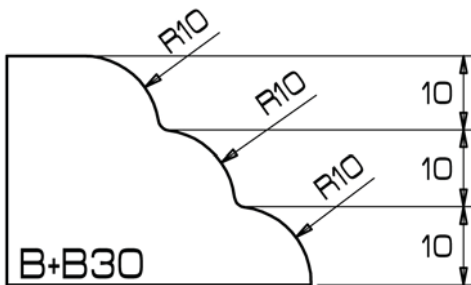
CODICE CODE	TIPO MOLA WHEEL TYPE	DIAMETRO DIAMETER	POS
PN41007	Segmented with Tracer Bore 22,2mm <i>A settori con Tastatore F=22,2</i>	50Int	Pos.1
PN42007	Continuous Rim with Tracer Bore 22,2mm <i>Fascia Continua con Tastatore F=22,2</i>		Pos.2
PB123905	Continuous Rim Bore 35mm <i>Fascia Continua F=35mm</i>	56Int.	Pos.3
PB123906	Continuous Rim Bore 35mm <i>Fascia Continua F=35mm</i>		Pos.4
PB69013	<i>Magic Bore 35mm</i>	70Int	Pos.5
PB69014	<i>Magic Bore 35mm</i>		Pos.6
PB02029	<i>Express Bore 35mm</i>	60Int	Pos.6
PB02030	<i>Express Bore 35mm</i>		Pos.7



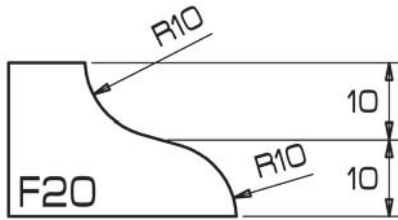
CODICE CODE	TIPO MOLA WHEEL TYPE	DIAMETRO DIAMETER	POS
PN41008	Segmented with Tracer Bore 22,2mm <i>A settori con Tastatore F=22,2</i>	50Int	Pos.1
PN42008	Continuous Rim with Tracer Bore 22,2mm <i>Fascia Continua con Tastatore F=22,2</i>		Pos.2
PB122631	Continuous Rim Bore 35mm <i>Fascia Continua F=35mm</i>	56Int	Pos.3
PB122645	Continuous Rim Bore 35mm <i>Fascia Continua F=35mm</i>		Pos.4
PB69016	<i>Magic Bore 35mm</i>	60Int	Pos.5
PB69017	<i>Magic Bore 35mm</i>		Pos.6
PB02032	<i>Express Bore 35mm</i>	60Int	Pos.6
PB02033	<i>Express Bore 35mm</i>		Pos.7



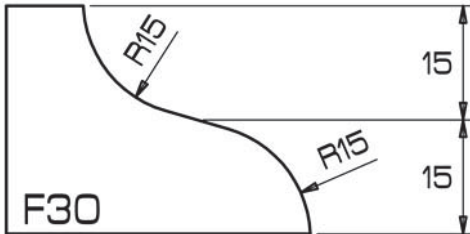
CODICE CODE	TIPO MOLA WHEEL TYPE	DIAMETRO DIAMETER	POS
PN41009	Segmented with Tracer Bore 22,2mm <i>A settori con Tastatore F=22,2</i>	50Int	Pos.1
PN42009	Continuous Rim with Tracer Bore 22,2mm <i>Fascia Continua con Tastatore F=22,2</i>		Pos.2
PB122677	Continuous Rim Bore 35mm <i>Fascia Continua F=35mm</i>	70Int	Pos.3
PB122678	Continuous Rim Bore 35mm <i>Fascia Continua F=35mm</i>		Pos.4
PB69025	<i>Magic Bore 35mm</i>	76Int	Pos.5
PB69026	<i>Magic Bore 35mm</i>		Pos.6
PB02041	<i>Express Bore 35mm</i>	60Int	Pos.6
PB02042	<i>Express Bore 35mm</i>		Pos.7



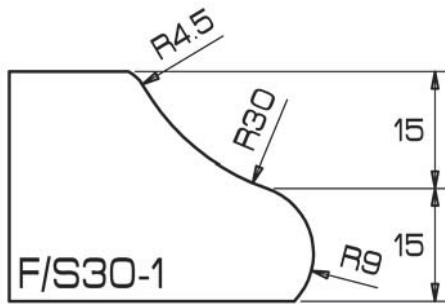
CODICE CODE	TIPO MOLA WHEEL TYPE	DIAMETRO DIAMETER	POS
PN41010	Segmented with Tracer Bore 22,2mm <i>A settori con Tastatore F=22,2</i>	50Int	Pos.1
PN42010	Continuous Rim with Tracer Bore 22,2mm <i>Fascia Continua con Tastatore F=22,2</i>		Pos.2
PB122673	Continuous Rim Bore 35mm <i>Fascia Continua F=35mm</i>	57Int	Pos.3
PB122674	Continuous Rim Bore 35mm <i>Fascia Continua F=35mm</i>		Pos.4
PB69028	<i>Magic Bore 35mm</i>	62Int	Pos.5
PB69029	<i>Magic Bore 35mm</i>		Pos.6
PB02044	<i>Express Bore 35mm</i>	60Int	Pos.6
PB02045	<i>Express Bore 35mm</i>		Pos.7



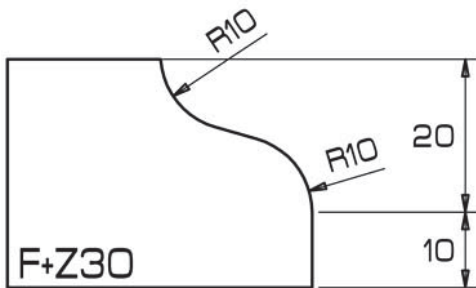
CODICE CODE	TIPO MOLA WHEEL TYPE	DIAMETRO DIAMETER	POS
PN41011	Segmented with Tracer Bore 22,2mm <i>A settori con Tastatore F=22,2</i>		Pos.1
PN42011	Continuous Rim with Tracer Bore 22,2mm <i>Fascia Continua con Tastatore F=22,2</i>	50Int	Pos.2
PB122708	Continuous Rim Bore 35mm <i>Fascia Continua F=35mm</i>		Pos.3
PB122709	Continuous Rim Bore 35mm <i>Fascia Continua F=35mm</i>	80Int	Pos.4
PB69043	<i>Magic Bore 35mm</i>		Pos.5
PB69044	<i>Magic Bore 35mm</i>	80Int	Pos.6
PB02059	<i>Express Bore 35mm</i>		Pos.6
PB02060	<i>Express Bore 35mm</i>	60Int	Pos.7



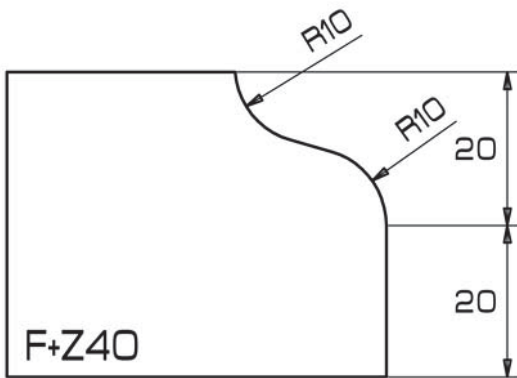
CODICE CODE	TIPO MOLA WHEEL TYPE	DIAMETRO DIAMETER	POS
PN41012	Segmented with Tracer Bore 22,2mm <i>A settori con Tastatore F=22,2</i>		Pos.1
PN42012	Continuous Rim with Tracer Bore 22,2mm <i>Fascia Continua con Tastatore F=22,2</i>	50Int	Pos.2
PB122607	Continuous Rim Bore 35mm <i>Fascia Continua F=35mm</i>		Pos.3
PB122647	Continuous Rim Bore 35mm <i>Fascia Continua F=35mm</i>	60Int	Pos.4
PB69046	<i>Magic Bore 35mm</i>		Pos.5
PB69047	<i>Magic Bore 35mm</i>	58Int	Pos.6
PB02062	<i>Express Bore 35mm</i>		Pos.6
PB02063	<i>Express Bore 35mm</i>	60Int	Pos.7



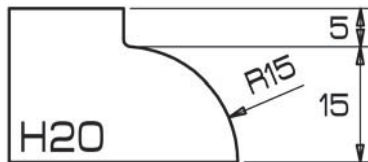
CODICE CODE	TIPO MOLA WHEEL TYPE	DIAMETRO DIAMETER	POS
PN41013	Segmented with Tracer Bore 22,2mm <i>A settori con Tastatore F=22,2</i>	50Int	Pos.1
PN42013	Continuous Rim with Tracer Bore 22,2mm <i>Fascia Continua con Tastatore F=22,2</i>		Pos.2
PB122995	Continuous Rim Bore 35mm <i>Fascia Continua F=35mm</i>	66Int	Pos.3
PB122996	Continuous Rim Bore 35mm <i>Fascia Continua F=35mm</i>		Pos.4
PB69061	<i>Magic Bore 35mm</i>	65Int	Pos.5
PB69062	<i>Magic Bore 35mm</i>		Pos.6
PB02077	<i>Express Bore 35mm</i>	60Int	Pos.6
PB02078	<i>Express Bore 35mm</i>		Pos.7



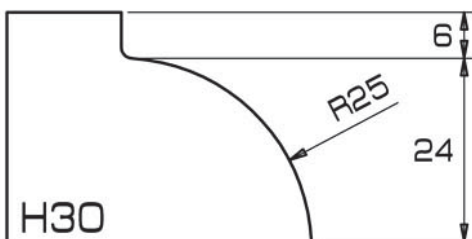
CODICE CODE	TIPO MOLA WHEEL TYPE	DIAMETRO DIAMETER	POS
PN41014	Segmented with Tracer Bore 22,2mm <i>A settori con Tastatore F=22,2</i>	50Int	Pos.1
PN42014	Continuous Rim with Tracer Bore 22,2mm <i>Fascia Continua con Tastatore F=22,2</i>		Pos.2
PB123187	Continuous Rim Bore 35mm <i>Fascia Continua F=35mm</i>	50Int	Pos.3
PB123188	Continuous Rim Bore 35mm <i>Fascia Continua F=35mm</i>		Pos.4
PB69070	<i>Magic Bore 35mm</i>	57Int	Pos.5
PB69071	<i>Magic Bore 35mm</i>		Pos.6
PB02086	<i>Express Bore 35mm</i>	60Int	Pos.6
PB02087	<i>Express Bore 35mm</i>		Pos.7



CODICE CODE	TIPO MOLA WHEEL TYPE	DIAMETRO DIAMETER	POS
PN41015	Segmented with Tracer Bore 22,2mm <i>A settori con Tastatore F=22,2</i>	50Int	Pos.1
PN42015	Continuous Rim with Tracer Bore 22,2mm <i>Fascia Continua con Tastatore F=22,2</i>		Pos.2
PB122732	Continuous Rim Bore 35mm <i>Fascia Continua F=35mm</i>	80Int	Pos.3
PB122733	Continuous Rim Bore 35mm <i>Fascia Continua F=35mm</i>		Pos.4
PB69073	<i>Magic Bore 35mm</i>	57Int	Pos.5
PB69074	<i>Magic Bore 35mm</i>		Pos.6
PB02092	<i>Express Bore 35mm</i>	60Int	Pos.6
PB02093	<i>Express Bore 35mm</i>		Pos.7

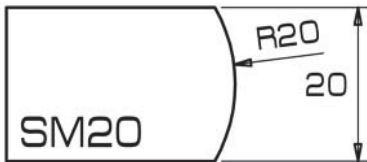


CODICE CODE	TIPO MOLA WHEEL TYPE	DIAMETRO DIAMETER	POS
PN41016	Segmented with Tracer Bore 22,2mm <i>A settori con Tastatore F=22,2</i>	50Int	Pos.1
PN42016	Continuous Rim with Tracer Bore 22,2mm <i>Fascia Continua con Tastatore F=22,2</i>		Pos.2
PB122736	Continuous Rim Bore 35mm <i>Fascia Continua F=35mm</i>	90Int	Pos.3
PB123737	Continuous Rim Bore 35mm <i>Fascia Continua F=35mm</i>		Pos.4
PB69076	<i>Magic Bore 35mm</i>	67Int	Pos.5
PB69077	<i>Magic Bore 35mm</i>		Pos.6
PB02095	<i>Express Bore 35mm</i>	60Int	Pos.6
PB02096	<i>Express Bore 35mm</i>		Pos.7

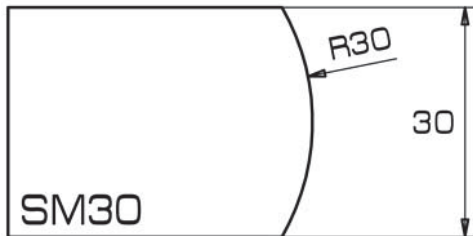


CODICE CODE	TIPO MOLA WHEEL TYPE	DIAMETRO DIAMETER	POS
PN41017	Segmented with Tracer Bore 22,2mm <i>A settori con Tastatore F=22,2</i>	50Int	Pos.1
PN42014	Continuous Rim with Tracer Bore 22,2mm <i>Fascia Continua con Tastatore F=22,2</i>		Pos.2
PB122853	Continuous Rim Bore 35mm <i>Fascia Continua F=35mm</i>	70Int	Pos.3
PB122854	Continuous Rim Bore 35mm <i>Fascia Continua F=35mm</i>		Pos.4
PB69079	<i>Magic Bore 35mm</i>	70Int	Pos.5
PB69080	<i>Magic Bore 35mm</i>		Pos.6
PB02098	<i>Express Bore 35mm</i>	70Int	Pos.6
PB02099	<i>Express Bore 35mm</i>		Pos.7

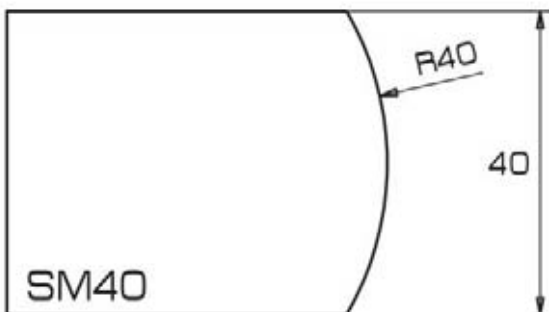
Release 12/11/2012



CODICE CODE	TIPO MOLA WHEEL TYPE	DIAMETRO DIAMETER	POS
PN41018	Segmented with Tracer Bore 22,2mm <i>A settori con Tastatore F=22,2</i>		Pos.1
PN42018	Continuous Rim with Tracer Bore 22,2mm <i>Fascia Continua con Tastatore F=22,2</i>	50Int	Pos.2
PB123393	Continuous Rim Bore 35mm <i>Fascia Continua F=35mm</i>		Pos.3
PB123394	Continuous Rim Bore 35mm <i>Fascia Continua F=35mm</i>	70Int	Pos.4
PB69178	<i>Magic Bore 35mm</i>		Pos.5
PB69179	<i>Magic Bore 35mm</i>	73Int	Pos.6
PB02140	<i>Express Bore 35mm</i>		Pos.6
PB02141	<i>Express Bore 35mm</i>	60Int	Pos.7

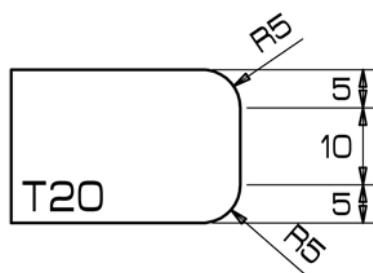


CODICE CODE	TIPO MOLA WHEEL TYPE	DIAMETRO DIAMETER	POS
PN41019	Segmented with Tracer Bore 22,2mm <i>A settori con Tastatore F=22,2</i>		Pos.1
PN42019	Continuous Rim with Tracer Bore 22,2mm <i>Fascia Continua con Tastatore F=22,2</i>	50Int	Pos.2
PB122861	Continuous Rim Bore 35mm <i>Fascia Continua F=35mm</i>		Pos.3
PB122862	Continuous Rim Bore 35mm <i>Fascia Continua F=35mm</i>	70Int	Pos.4
PB69181	<i>Magic Bore 35mm</i>		Pos.5
PB69182	<i>Magic Bore 35mm</i>	70Int	Pos.6
PB02143	<i>Express Bore 35mm</i>		Pos.6
PB02144	<i>Express Bore 35mm</i>	60Int	Pos.7

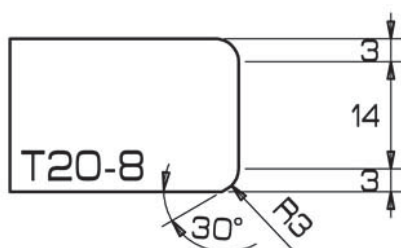


CODICE CODE	TIPO MOLA WHEEL TYPE	DIAMETRO DIAMETER	POS
PN41020	Segmented with Tracer Bore 22,2mm <i>A settori con Tastatore F=22,2</i>		Pos.1
PN42020	Continuous Rim with Tracer Bore 22,2mm <i>Fascia Continua con Tastatore F=22,2</i>	50Int	Pos.2
PB122897	Continuous Rim Bore 35mm <i>Fascia Continua F=35mm</i>		Pos.3
PB122898	Continuous Rim Bore 35mm <i>Fascia Continua F=35mm</i>	68Int	Pos.4
PB69184	<i>Magic Bore 35mm</i>		Pos.5
PB69185	<i>Magic Bore 35mm</i>	68Int	Pos.6
PB02146	<i>Express Bore 35mm</i>		Pos.6
PB02147	<i>Express Bore 35mm</i>	60Int	Pos.7

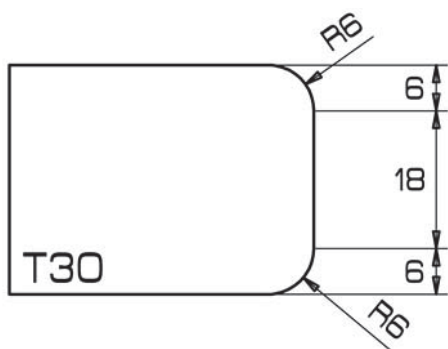
Release 12/11/2012



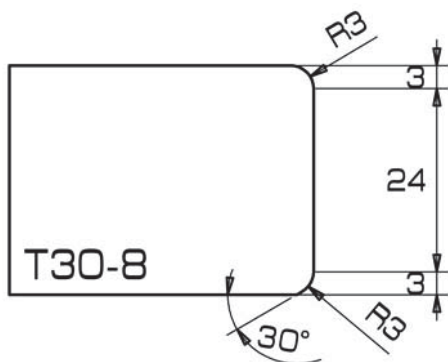
CODICE CODE	TIPO MOLA WHEEL TYPE	DIAMETRO DIAMETER	POS
PN41021	Segmented with Tracer Bore 22,2mm <i>A settori con Tastatore F=22,2</i>	50Int	Pos.1
PN42021	Continuous Rim with Tracer Bore 22,2mm <i>Fascia Continua con Tastatore F=22,2</i>		Pos.2
PB123326	Continuous Rim Bore 35mm <i>Fascia Continua F=35mm</i>	60Int	Pos.3
PB123327	Continuous Rim Bore 35mm <i>Fascia Continua F=35mm</i>		Pos.4
PB69118	<i>Magic Bore 35mm</i>	63Int	Pos.5
PB69119	<i>Magic Bore 35mm</i>		Pos.6
PB02149	<i>Express Bore 35mm</i>	60Int	Pos.6
PB02150	<i>Express Bore 35mm</i>		Pos.7



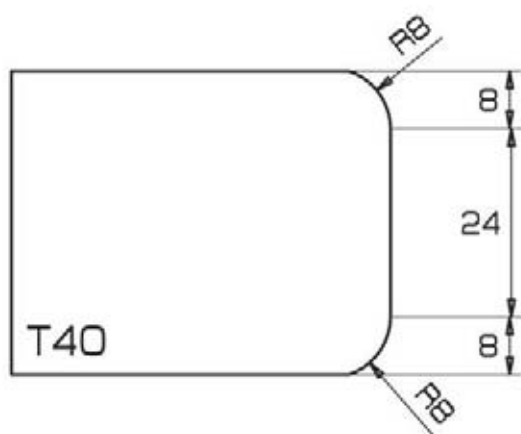
CODICE CODE	TIPO MOLA WHEEL TYPE	DIAMETRO DIAMETER	POS
PN41022	Segmented with Tracer Bore 22,2mm <i>A settori con Tastatore F=22,2</i>	50Int	Pos.1
PN42022	Continuous Rim with Tracer Bore 22,2mm <i>Fascia Continua con Tastatore F=22,2</i>		Pos.2
PB123672	Continuous Rim Bore 35mm <i>Fascia Continua F=35mm</i>	60Int	Pos.3
PB123673	Continuous Rim Bore 35mm <i>Fascia Continua F=35mm</i>		Pos.4
PB69238	<i>Magic Bore 35mm</i>	63Int	Pos.5
PB69239	<i>Magic Bore 35mm</i>		Pos.6
PB02245	<i>Express Bore 35mm</i>	60Int	Pos.6
PB02246	<i>Express Bore 35mm</i>		Pos.7



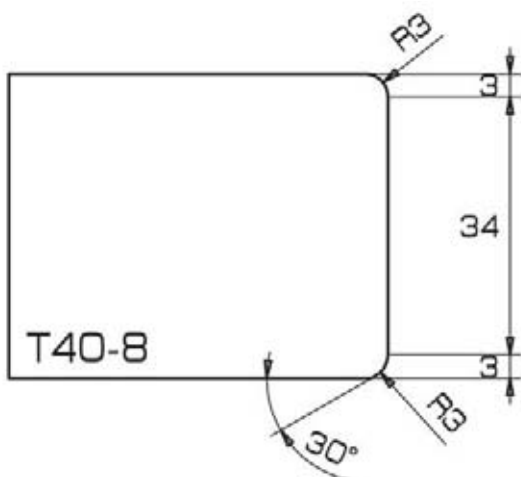
CODICE CODE	TIPO MOLA WHEEL TYPE	DIAMETRO DIAMETER	POS
PN41023	Segmented with Tracer Bore 22,2mm <i>A settori con Tastatore F=22,2</i>	50Int	Pos.1
PN42023	Continuous Rim with Tracer Bore 22,2mm <i>Fascia Continua con Tastatore F=22,2</i>		Pos.2
PB122613	Continuous Rim Bore 35mm <i>Fascia Continua F=35mm</i>	71Ext	Pos.3
PB122637	Continuous Rim Bore 35mm <i>Fascia Continua F=35mm</i>		Pos.4
PB69121	<i>Magic Bore 35mm</i>	63Int	Pos.5
PB69122	<i>Magic Bore 35mm</i>		Pos.6
PB02155	<i>Express Bore 35mm</i>	60Int	Pos.6
PB02156	<i>Express Bore 35mm</i>		Pos.7



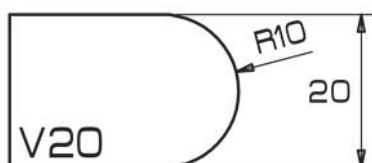
CODICE CODE	TIPO MOLA WHEEL TYPE	DIAMETRO DIAMETER	POS
PN41024	Segmented with Tracer Bore 22,2mm <i>A settori con Tastatore F=22,2</i>	50Int	Pos.1
PN42024	Continuous Rim with Tracer Bore 22,2mm <i>Fascia Continua con Tastatore F=22,2</i>		Pos.2
PB123676	Continuous Rim Bore 35mm <i>Fascia Continua F=35mm</i>	60Int	Pos.3
PB123677	Continuous Rim Bore 35mm <i>Fascia Continua F=35mm</i>		Pos.4
PB69241	<i>Magic Bore 35mm</i>	63Int	Pos.5
PB69242	<i>Magic Bore 35mm</i>		Pos.6
PB02248	<i>Express Bore 35mm</i>	60Int	Pos.6
PB02249	<i>Express Bore 35mm</i>		Pos.7



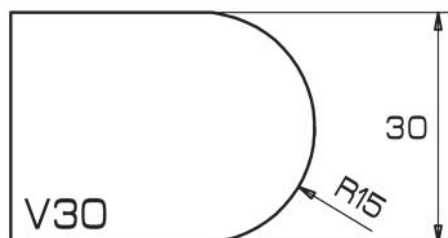
CODICE CODE	TIPO MOLA WHEEL TYPE	DIAMETRO DIAMETER	POS
PN41025	Segmented with Tracer Bore 22,2mm <i>A settori con Tastatore F=22,2</i>	50Int	Pos.1
PN42025	Continuous Rim with Tracer Bore 22,2mm <i>Fascia Continua con Tastatore F=22,2</i>		Pos.2
PB122813	Continuous Rim Bore 35mm <i>Fascia Continua F=35mm</i>	103Int	Pos.3
PB122814	Continuous Rim Bore 35mm <i>Fascia Continua F=35mm</i>		Pos.4
PB69130	<i>Magic Bore 35mm</i>	63Int	Pos.5
PB691131	<i>Magic Bore 35mm</i>		Pos.6
PB02170	<i>Express Bore 35mm</i>	60Int	Pos.6
PB02171	<i>Express Bore 35mm</i>		Pos.7



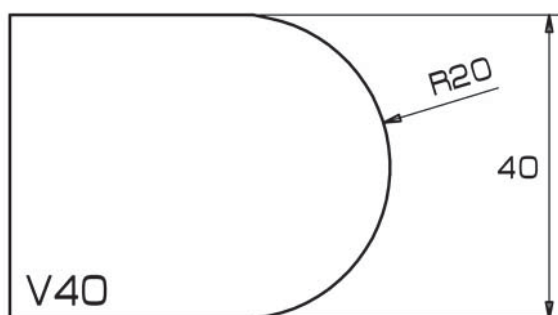
CODICE CODE	TIPO MOLA WHEEL TYPE	DIAMETRO DIAMETER	POS
PN41026	Segmented with Tracer Bore 22,2mm <i>A settori con Tastatore F=22,2</i>	50Int	Pos.1
PN42026	Continuous Rim with Tracer Bore 22,2mm <i>Fascia Continua con Tastatore F=22,2</i>		Pos.2
PB123680	Continuous Rim Bore 35mm <i>Fascia Continua F=35mm</i>	60Int	Pos.3
PB123681	Continuous Rim Bore 35mm <i>Fascia Continua F=35mm</i>		Pos.4
PB69244	<i>Magic Bore 35mm</i>	63Int	Pos.5
PB69245	<i>Magic Bore 35mm</i>		Pos.6
PB02251	<i>Express Bore 35mm</i>	60Int	Pos.6
PB02252	<i>Express Bore 35mm</i>		Pos.7



CODICE CODE	TIPO MOLA WHEEL TYPE	DIAMETRO DIAMETER	POS
PN41027	Segmented with Tracer Bore 22,2mm <i>A settori con Tastatore F=22,2</i>	50Int	Pos.1
PN42027	Continuous Rim with Tracer Bore 22,2mm <i>Fascia Continua con Tastatore F=22,2</i>		Pos.2
PB123042	Continuous Rim Bore 35mm <i>Fascia Continua F=35mm</i>	60Int	Pos.3
PB123043	Continuous Rim Bore 35mm <i>Fascia Continua F=35mm</i>		Pos.4
PB69136	<i>Magic Bore 35mm</i>	71Int	Pos.5
PB69137	<i>Magic Bore 35mm</i>		Pos.6
PB02173	<i>Express Bore 35mm</i>	60Int	Pos.6
PB02174	<i>Express Bore 35mm</i>		Pos.7

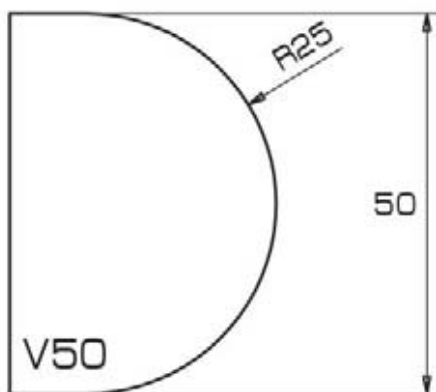


CODICE CODE	TIPO MOLA WHEEL TYPE	DIAMETRO DIAMETER	POS
PN41028	Segmented with Tracer Bore 22,2mm <i>A settori con Tastatore F=22,2</i>	50Int	Pos.1
PN42028	Continuous Rim with Tracer Bore 22,2mm <i>Fascia Continua con Tastatore F=22,2</i>		Pos.2
PB122873	Continuous Rim Bore 35mm <i>Fascia Continua F=35mm</i>	60Int	Pos.3
PB122874	Continuous Rim Bore 35mm <i>Fascia Continua F=35mm</i>		Pos.4
PB69139	<i>Magic Bore 35mm</i>	61Int	Pos.5
PB69140	<i>Magic Bore 35mm</i>		Pos.6
PB02176	<i>Express Bore 35mm</i>	60Int	Pos.6
PB02177	<i>Express Bore 35mm</i>		Pos.7

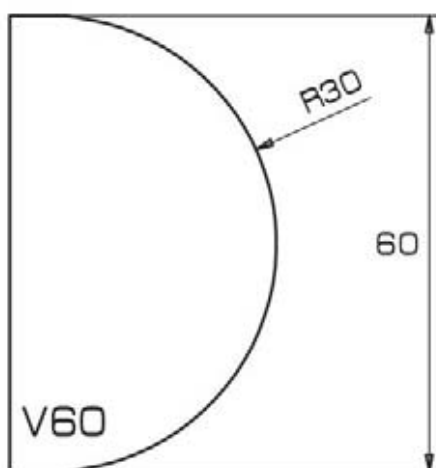


CODICE CODE	TIPO MOLA WHEEL TYPE	DIAMETRO DIAMETER	POS
PN41029	Segmented with Tracer Bore 22,2mm <i>A settori con Tastatore F=22,2</i>	50Int	Pos.1
PN42029	Continuous Rim with Tracer Bore 22,2mm <i>Fascia Continua con Tastatore F=22,2</i>		Pos.2
PB122825	Continuous Rim Bore 35mm <i>Fascia Continua F=35mm</i>	74Int	Pos.3
PB122826	Continuous Rim Bore 35mm <i>Fascia Continua F=35mm</i>		Pos.4
PB69142	<i>Magic Bore 35mm</i>	74Int	Pos.5
PB69143	<i>Magic Bore 35mm</i>		Pos.6
PB02179	<i>Express Bore 35mm</i>	60Int	Pos.6
PB02180	<i>Express Bore 35mm</i>		Pos.7

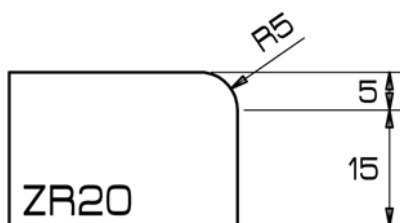
Release 12/11/2012



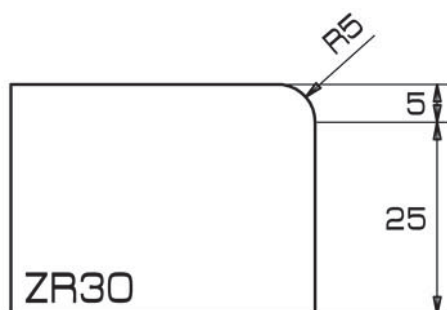
CODICE CODE	TIPO MOLA WHEEL TYPE	DIAMETRO DIAMETER	POS
PN41030	Segmented with Tracer Bore 22,2mm <i>A settori con Tastatore F=22,2</i>	50Int	Pos.1
PN42030	Segmented with Tracer Bore 22,2mm <i>A settori con Tastatore F=22,2</i>		Pos.2
PB123541	Continuous Rim Bore 35mm <i>Fascia Continua F=35mm</i>	64Int	Pos.3
PB123542	Continuous Rim Bore 35mm <i>Fascia Continua F=35mm</i>		Pos.4
PB691081	<i>Magic Bore 35mm</i>	64Int	Pos.5
PB691082	<i>Magic Bore 35mm</i>		Pos.6
PB02319	<i>Express Bore 35mm</i>	60Int	Pos.6
PB02320	<i>Express Bore 35mm</i>		Pos.7



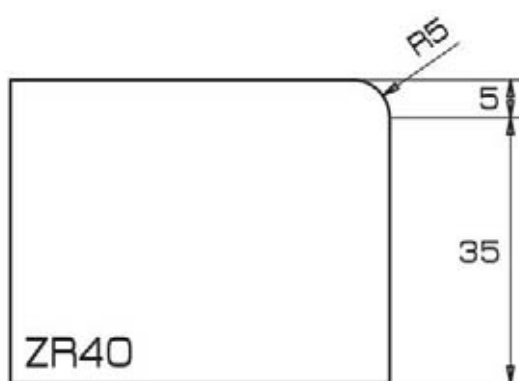
CODICE CODE	TIPO MOLA WHEEL TYPE	DIAMETRO DIAMETER	POS
PN41031	Segmented with Tracer Bore 22,2mm <i>A settori con Tastatore F=22,2</i>	50Int	Pos.1
PN42031	Segmented with Tracer Bore 22,2mm <i>A settori con Tastatore F=22,2</i>		Pos.2
PB123046	Segmented Bore 35mm <i>Settori F=35mm</i>	70Int	Pos.3
PB123047	Segmented Bore 35mm <i>Settori F=35mm</i>		Pos.4
PB691000	<i>Magic Bore 35mm</i>	84Int	Pos.5
PB691001	<i>Magic Bore 35mm</i>		Pos.6
PB02356	<i>Express Bore 35mm</i>	60Int	Pos.6
PB02357	<i>Express Bore 35mm</i>		Pos.7



CODICE CODE	TIPO MOLA WHEEL TYPE	DIAMETRO DIAMETER	POS
PN41033	Segmented with Tracer <i>A settori con Tastatore</i>	50Int	Pos.1
PN42033	Continuous Rim with Tracer <i>Fascia Continua con Tastatore</i>		Pos.2
PB122889	Continuous Rim Bore 35mm <i>Fascia Continua F=35mm</i>	70Int	Pos.3
PB122890	Continuous Rim Bore 35mm <i>Fascia Continua F=35mm</i>		Pos.4
PB69199	<i>Magic Bore 35mm</i>	65Int	Pos.5
PB69200	<i>Magic Bore 35mm</i>		Pos.6
PB02200	<i>Express Bore 35mm</i>	60Int	Pos.6
PB02201	<i>Express Bore 35mm</i>		Pos.7

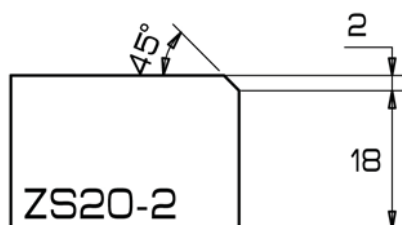


CODICE CODE	TIPO MOLA WHEEL TYPE	DIAMETRO DIAMETER	POS
PN41034	Segmented with Tracer <i>A settori con Tastatore</i>	50Int	Pos.1
PN42034	Continuous Rim with Tracer <i>Fascia Continua con Tastatore</i>		Pos.2
PB122625	Continuous Rim Bore 35mm <i>Fascia Continua F=35mm</i>	65Int	Pos.3
PB122646	Continuous Rim Bore 35mm <i>Fascia Continua F=35mm</i>		Pos.4
PB69199	<i>Magic Bore 35mm</i>	65Int	Pos.5
PB69200	<i>Magic Bore 35mm</i>		Pos.6
PB02203	<i>Express Bore 35mm</i>	60Int	Pos.6
PB02204	<i>Express Bore 35mm</i>		Pos.7

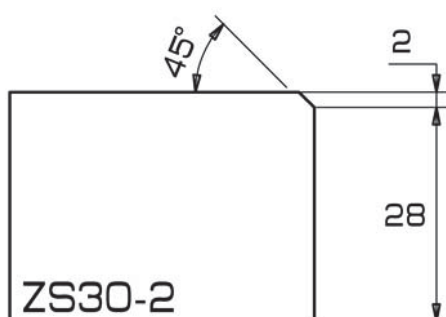


CODICE CODE	TIPO MOLA WHEEL TYPE	DIAMETRO DIAMETER	POS
PN41035	Segmented with Tracer <i>A settori con Tastatore</i>	50Int	Pos.1
PN42035	Continuous Rim with Tracer <i>Fascia Continua con Tastatore</i>		Pos.2
PB122901	Continuous Rim Bore 35mm <i>Fascia Continua F=35mm</i>	65Int	Pos.3
PB122902	Continuous Rim Bore 35mm <i>Fascia Continua F=35mm</i>		Pos.4
PB69211	<i>Magic Bore 35mm</i>	65Int	Pos.5
PB69212	<i>Magic Bore 35mm</i>		Pos.6
PB02212	<i>Express Bore 35mm</i>	60Int	Pos.6
PB02213	<i>Express Bore 35mm</i>		Pos.7

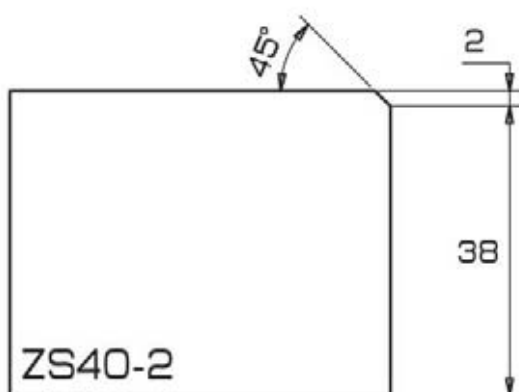
Release 12/11/2012



CODICE CODE	TIPO MOLA WHEEL TYPE	DIAMETRO DIAMETER	POS
PN41036	Segmented with Tracer <i>A settori con Tastatore</i>		Pos.1
PN42036	Continuous Rim with Tracer <i>Fascia Continua con Tastatore</i>	50Int	Pos.2
PB123684	Continuous Rim Bore 35mm <i>Fascia Continua F=35mm</i>		Pos.3
PB123685	Continuous Rim Bore 35mm <i>Fascia Continua F=35mm</i>	70Int	Pos.4
PB69232	<i>Magic Bore 35mm</i>		Pos.5
PB69233	<i>Magic Bore 35mm</i>	60Int	Pos.6
PB02233	<i>Express Bore 35mm</i>		Pos.6
PB02234	<i>Express Bore 35mm</i>	60Int	Pos.7



CODICE CODE	TIPO MOLA WHEEL TYPE	DIAMETRO DIAMETER	POS
PN41037	Segmented with Tracer <i>A settori con Tastatore</i>		Pos.1
PN42037	Continuous Rim with Tracer <i>Fascia Continua con Tastatore</i>	50Int	Pos.2
PB123372	Continuous Rim Bore 35mm <i>Fascia Continua F=35mm</i>		Pos.3
PB123373	Continuous Rim Bore 35mm <i>Fascia Continua F=35mm</i>	70Int	Pos.4
PB69232	<i>Magic Bore 35mm</i>		Pos.5
PB69233	<i>Magic Bore 35mm</i>	60Int	Pos.6
PB02236	<i>Express Bore 35mm</i>		Pos.6
PB02237	<i>Express Bore 35mm</i>	60Int	Pos.7



CODICE CODE	TIPO MOLA WHEEL TYPE	DIAMETRO DIAMETER	POS
PN41038	Segmented with Tracer <i>A settori con Tastatore</i>		Pos.1
PN42038	Continuous Rim with Tracer <i>Fascia Continua con Tastatore</i>	50Int	Pos.2
PB123688	Continuous Rim Bore 35mm <i>Fascia Continua F=35mm</i>		Pos.3
PB123689	Continuous Rim Bore 35mm <i>Fascia Continua F=35mm</i>	70Int	Pos.4
PB69232	<i>Magic Bore 35mm</i>		Pos.5
PB69233	<i>Magic Bore 35mm</i>	60Int	Pos.6
PB02239	<i>Express Bore 35mm</i>		Pos.6
PB02240	<i>Express Bore 35mm</i>	60Int	Pos.7

Release 12/11/2012

ADI S.p.A. Via Dell'Economia, 12/16
36016 Thiene (VI) - Italy

Tel. +39 0445.360.244 Fax +39 0445.366.862

Fax Stone Division +39 0445.377.555

www.aditools.com

E-mail: info@aditools.com