

Catalogue 2014

THE
PERMANENT
VALUE

ADI

INDUSTRIAL DIAMOND APPLICATION

ADVANCED **STONE**
TOOL TECHNOLOGY

Finger bit

INDEX

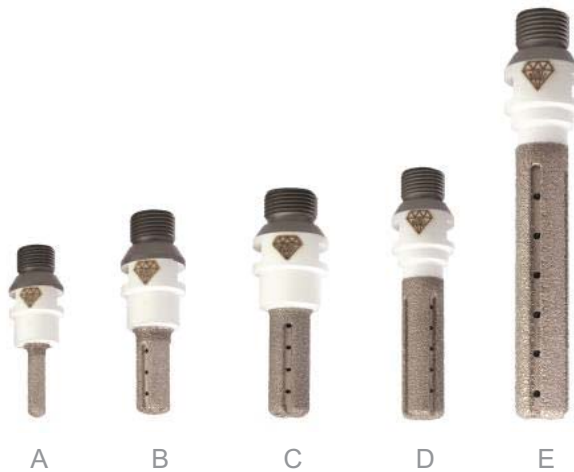
Electroplated and Vacuum Brazed Finger Bit For Marble Right Threaded	Page	3
Electroplated Finger Bit for Engraving Marble	Page	4
Segmented Finger Bit Reference Chart	Page	5
Segmented Finger Bit with A=1/2" Gas Connection Right Threaded	Page	6
Incremental Finger Bit UHS Right Threaded	Page	7
Incremental Finger Bit Right Threaded	Page	8
Electroplated and Vacuum Brazed Finger Bit For Marble Left Threaded	Page	9
Segmented Finger Bit with A=1/2" Gas Connection Left Threaded	Page	10
Incremental Finger Bit Left Threaded	Page	11

BACK TO INDEX



Electroplated Finger Bit **1/2" Gas Connection**
For Marble

ADI CODE	DIMENSION [DxL]	TYPE	RPM	FEED [mm/min]
PB25261	12x35	A	5.500-6.500	100-300
PB25008	16x35	B	5.500	400-600
PB25026	16x45	C	5.500	400-600
PB25002	20x65	D	5.200	300-450
PB25003	20x110	E	5.000	200-350



Vacuum Brazed Finger Bit **1/2" Gas Connection**
For Marble

ADI CODE	DIMENSION [DxL]	TYPE	RPM	FEED [mm/min]
PB52092	10x35	A	5.500-6.500	100-300
PB52004	16x35	B	5.500	400-600
PB52005	16x45	C	5.500	400-600
PB52006	20x65	D	5.200	300-450
PB52111	20x100	E	5.000	200-350

*Electroplated Tools for Engraving
For Marble*

[BACK TO INDEX](#)



Body



1



2

ADI Code	Description	RPM	FEED [mm/min]	Fitting
PB25223	Body 1A1W EL 20x20 LU=100	-	-	1/2" Gas
PB25153	(1) 1U1W EL 20x20	6.000-7.000	200-300	M12
PB25163	(2) 1F1W EL 20x20	6.000-7.000	200-300	M12



Body



1



2

ADI Code	Description	RPM	FEED [mm/min]	Fitting
PB25285	Body 1A1W EL 25x20 LU=100	-	-	1/2" Gas
PB25286	(1) 1U1W EL 25x20	5.000-6.000	200-300	M14
PB25287	(2) 1F1W EL 25x20	5.000-6.000	200-300	M14



Body



1



2

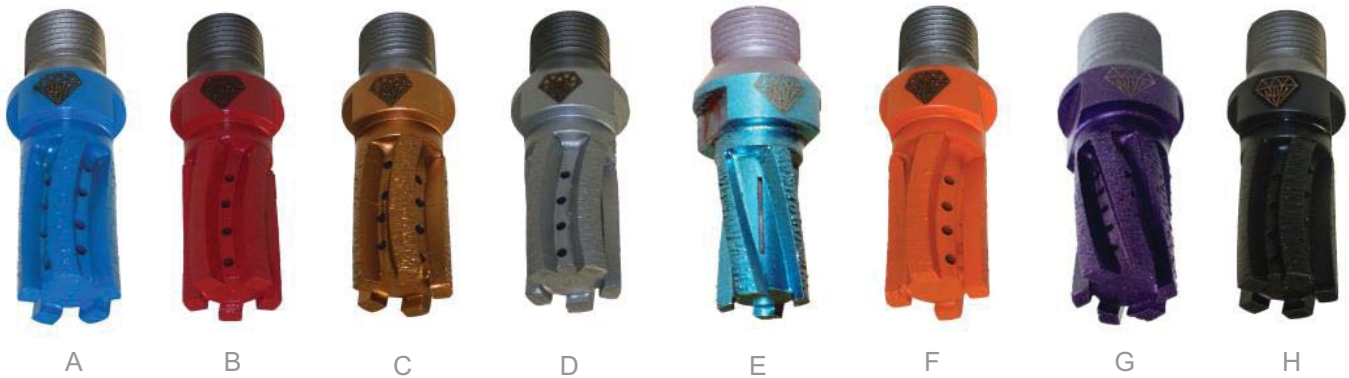
ADI Code	Description	RPM	FEED [mm/min]	Fitting
PB25291	Steel Body 30x20 LU=100	-	-	1/2" Gas
PB25289	(1) 1U1W EL 30x20	5.000-5.500	200-300	M14
PB25290	(2) 1F1W EL 30x20	5.000-5.500	200-300	M14

[BACK TO INDEX](#)



Finger bit application chart

TYPE	NAME	Engineered Stone	Abrasive Material	Soft Granite	Medium Granite	Hard Granite	Gres Ceramic
A	STD TYPE BLUE	XX	XX	XXXX	XXX	X	X
B	STD TYPE RED	XX	X	X	XXX	XXXX	XX
C	STD TYPE BRONZE	XXX	XX	XX	XXXX	XXX	XX
D	STD TYPE SILVER	XXX	XXXX	XXXX	XX	X	X
E	HYDRO	XXXX	XXX	XXX	XX	X	X
F	TYPE "UHS"	XXXX	XX	XXXX	XXX	X	X
G	THE SOLUTION	XXXX	XX	XXXX	XXX	XX	XX
H	GRES	X	X	X	X	X	XXXX



Segmented Finger Bit 1/2" Gas Connection

ADI CODE	DIMENSION [DxL]	TYPE	NAME	MATERIAL	RPM	FEED [mm/min]	
PB22003	22x35	A	STD TYPE BLUE	GRANITE	4.500	280-330	
				SOFT GRANITE	4.500	300-350	
PB22200	24x48	A		GRANITE	4.400	250-300	
				SOFT GRANITE	4.500	300-400	
PB22070	26x60	A		GRANITE	4.200	240-260	
				SOFT GRANITE	4.200	280-300	
PB22008	22x35	B	STD TYPE RED	HARD GRANITE	4.800	200-220	
PB22214	24x48	B		HARD GRANITE	4.600	200-220	
PB22191	22x35	C	STD TYPE BRONZE	GRANITE	4.800	250-300	
PB22321	24x48	C		GRANITE	4.800	240-280	
PB22130	22x35	D	STD TYPE SILVER	SOFT GRANITE	4.500	300-350	
				ABRASIVE STONE	4.500	300-350	
PB22155	24x48	D		GRANITE	4.400	280-330	
				ABRASIVE STONE	4.400	280-330	
PB22582	20x35	E	HYDRO	GRANITE	4.500-5.500	250-300	
				ENGINEERED STONE	4.500-5.500	250-300	
PB22402	22x35	F	TYPE "UHS"	GRANITE	5.500-7.000	400-600	
PB22407	24x48	F		ENGINEERED STONE	5.500-7.000	300-400	
PB22548	20x35	G	THE SOLUTION	GRANITE	5.000-7.000	350-600	
				ENGINEERED STONE	5.000-7.000	400-700	
				SOFT GRANITE	5.000-7.000	400-600	
				HARD GRANITE	5.000-7.000	300-400	
ABRASIVE STONE	5.000-7.000	300-400					
PB22561	22x48	G		GRANITE	5.000-7.000	300-500	
				ENGINEERED STONE	5.000-7.000	300-500	
				SOFT GRANITE	5.000-7.000	300-500	
				HARD GRANITE	5.000-7.000	250-350	
				ABRASIVE STONE	5.000-7.000	250-400	
CG04001	22x35	H		GRES	GRES - CERAMIC	3.800	120-190
CG04010	24x48	H			GRES - CERAMIC	3.500	100-150

[BACK TO INDEX](#)



Incremental Finger Bit 1/2" Gas Connection

ADI CODE	DIMENSION [D/dxL]	TYPE	RPM	FEED [mm/min]	Stock Removal [mm]
PB27505	6/3x15	UHS	7.000-10.000	150-250	3 max
PB27394	8/4x15	UHS	7.000-10.000	150-250	3 max
PB27395	10/5x20	UHS	7.000-10.000	150-250	3 max
PB27383	12/6x20	UHS	7.000-10.000	150-250	3 max
PB27362	20/14x12	UHS	7.000 - 7.500	700 - 1.000	3 max
PB27526	20/14x20	UHS	7.000 - 7.500	700-1.000	3 max



Incremental Finger Bit M12 Connection

ADI CODE	DIMENSION [D/dxL]	TYPE	RPM	FEED [mm/min]	Stock Removal [mm]
PR06050	20/14x20	UHS	7.000-7.500	700-1.000	3 max
PR06051	20/14x20 Slot	UHS	7.000-7.500	700-1.000	3 max

Incremental Finger Bit 1/2" Gas Connection

[BACK TO INDEX](#)



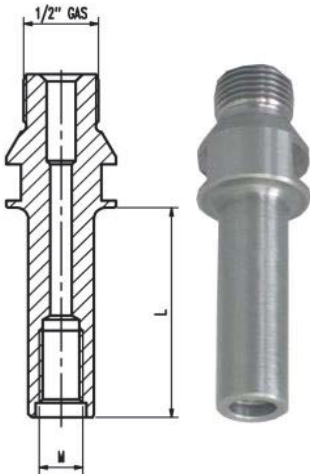
ADI CODE	DIMENSION [D/dxL]	TYPE	RPM	FEED [mm/min]	Stock Removal [mm]
PB27010	20/14x12	G-N	7.000-7.500	700-1.000	3 max
PB27002	20/14x12	UNI A-A	7.000-7.500	700-1.000	3 max
PB27019	20/14x12	MARBLE G	7.000-7.500	700-1.000	3 max

Incremental Finger Bit Screw Connection



ADI CODE	DIMENSION [D/dxL]	TYPE	RPM	FEED [mm/min]	Stock Removal [mm]
PR06009	20/14x12 M12	G-N	7.000-7.500	700-1.000	3 max
PR06021	20/14x12 M12	UNI A-A	7.000-7.500	700-1.000	3 max
PR06010	20/14x12 M12	MARBLE G	7.000-7.500	700-1.000	3 max
PR06019	30/24x12 M18	G-N	6.000-7.000	700-1.000	3 max
PR06024	30/24x12 M18	UNI A-A	6.000-7.000	700-1.000	3 max
PR06028	30/24x12 M18	MARBLE G	6.000-7.000	700-1.000	3 max

Extension A=1/2" GAS - M12



Code	Description
SL02219	A=1/2" GAS—M12 L= 55
SL02376	A=1/2" GAS—M12 L= 90
SL02349	A=1/2" GAS—M12 L=120
SL02377	A=1/2" GAS—M12 L=150
SL02334	A=1/2" GAS—M12 L=200

Extension A=1/2" GAS - M18

Code	Description
SL02518	A=1/2" GAS—M18 L= 90
SL02548	A=1/2" GAS—M18 L= 200



Router for Drain Board 1/2" Gas Connection

ADI CODE	DIMENSION [DxL]	TYPE	RPM	FEED [mm/min]	Stock Removal [mm]
PB22303	20X10 LU=42	B	5.000	300 - 500	8 max
PB22517	20X10 LU=115	B	5.000	200 - 400	8 max

BACK TO INDEX



Electroplated Finger Bit 1/2" Gas Left Thread Connection
For Marble

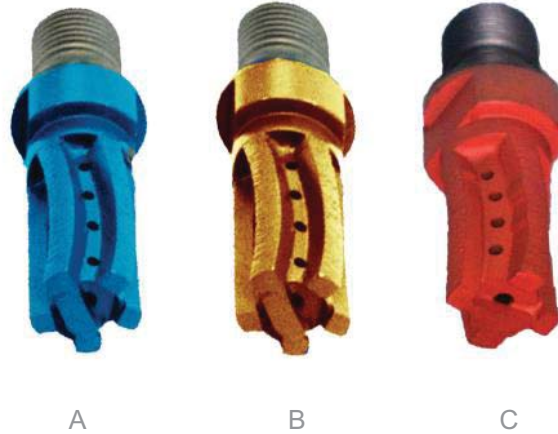
ADI CODE	DIMENSION [DxL]	RPM	FEED [mm/min]
PB25233	16X45	5.500	400-600



Vacuum Brazed Finger Bit 1/2" Gas Left Thread Connection
For Marble

ADI CODE	DIMENSION [DxL]	TYPE	RPM	FEED [mm/min]
PB52145	16x45	A	5.500	400-600
PB52134	20x65	B	5.200	300-450
PB52091	20x100	C	5.000	200-350

[BACK TO INDEX](#)



Segmented Finger Bit 1/2" Gas Left Thread Connection

ADI CODE	DIMENSION [DxL]	TYPE	NAME	MATERIAL	RPM	FEED [mm/min]
PB22587	22x35	A	STD TYPE BLUE	GRANITE	4.500	280-330
				SOFT GRANITE	4.500	300-350
PB22588	24x48	A		GRANITE	4.400	250-300
				SOFT GRANITE	4.500	300-400
PB22529	22x35	B	STD TYPE BRONZE	GRANITE	4.800	250-300
PB22589	24x48	B		GRANITE	4.800	240-280
PB22590	22x35	D	TYPE "UHS"	GRANITE	5.500-7.000	400-600
PB22439	24x48	D		ENGINEERED STONE	5.500-7.000	300-400

BACK TO INDEX

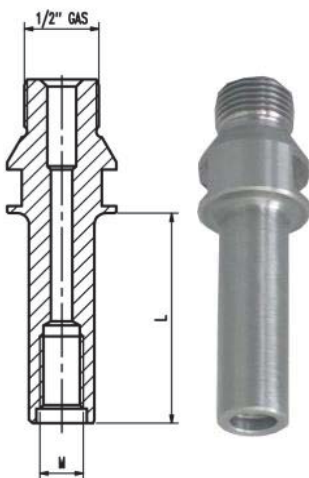


Incremental Finger Bit **Left Thread Connection**



ADI CODE	DIMENSION [D/dxL]	TYPE	RPM	FEED [mm/min]	Stock Removal [mm]
PR06053	20/14x12 M12 SX	G-N	7.000-7.500	700-1.000	3 max
PR06054	20/14x12 M12 SX	UNI A-A	7.000-7.500	700-1.000	3 max
PR06055	20/14x12 M12 SX	MARBLE G	7.000-7.500	700-1.000	3 max
PR06056	30/24x12 M18 SX	G-N	6.000-7.000	700-1.000	3 max
PR06057	30/24x12 M18 SX	UNI A-A	6.000-7.000	700-1.000	3 max
PR06058	30/24x12 M18 SX	MARBLE G	6.000-7.000	700-1.000	3 max
PB27087	20/14x12 A=1/2" GAS SX	G-N	7.000-7.500	700-1.000	3 max
PB27097	20/14x12 A=1/2" GAS SX	UNI A-A	7.000-7.500	700-1.000	3 max
PB27088	20/14x12 A=1/2" GAS SX	MARBLE G	7.000-7.500	700-1.000	3 max

Extension **A=1/2" SX GAS - M12 SX**



Code	Description
SL02574	A=1/2" GAS SX - M12 SX L= 55
SL02575	A=1/2" GAS SX - M12 SX L= 90
SL02576	A=1/2" GAS SX - M12 SX L=120
SL02577	A=1/2" GAS SX - M12 SX L=150
SL02578	A=1/2" GAS SX - M12 SX L=200

Extension **A=1/2" SX GAS - M18 SX**

Code	Description
SL02579	A=1/2" GAS SX - M18 SX L= 90
SL02580	A=1/2" GAS SX - M18 SX L= 200

ADI

INDUSTRIAL DIAMOND APPLICATION

ADI S.p.A.
Via dell'Economia, 12/16 - 36016 Thiene (VI) Italy
Tel: +39.0445.360244 Fax: +39.0445.366862
info@aditools.com - www.aditools.com

ADI USA Inc.
1477 Connelly Springs Rd 28645 Lenoir / North Carolina - USA
Tel. 1-828-7284711 - Fax 1-828-7289613
info@aditools-usa.com - www.aditools-usa.com