

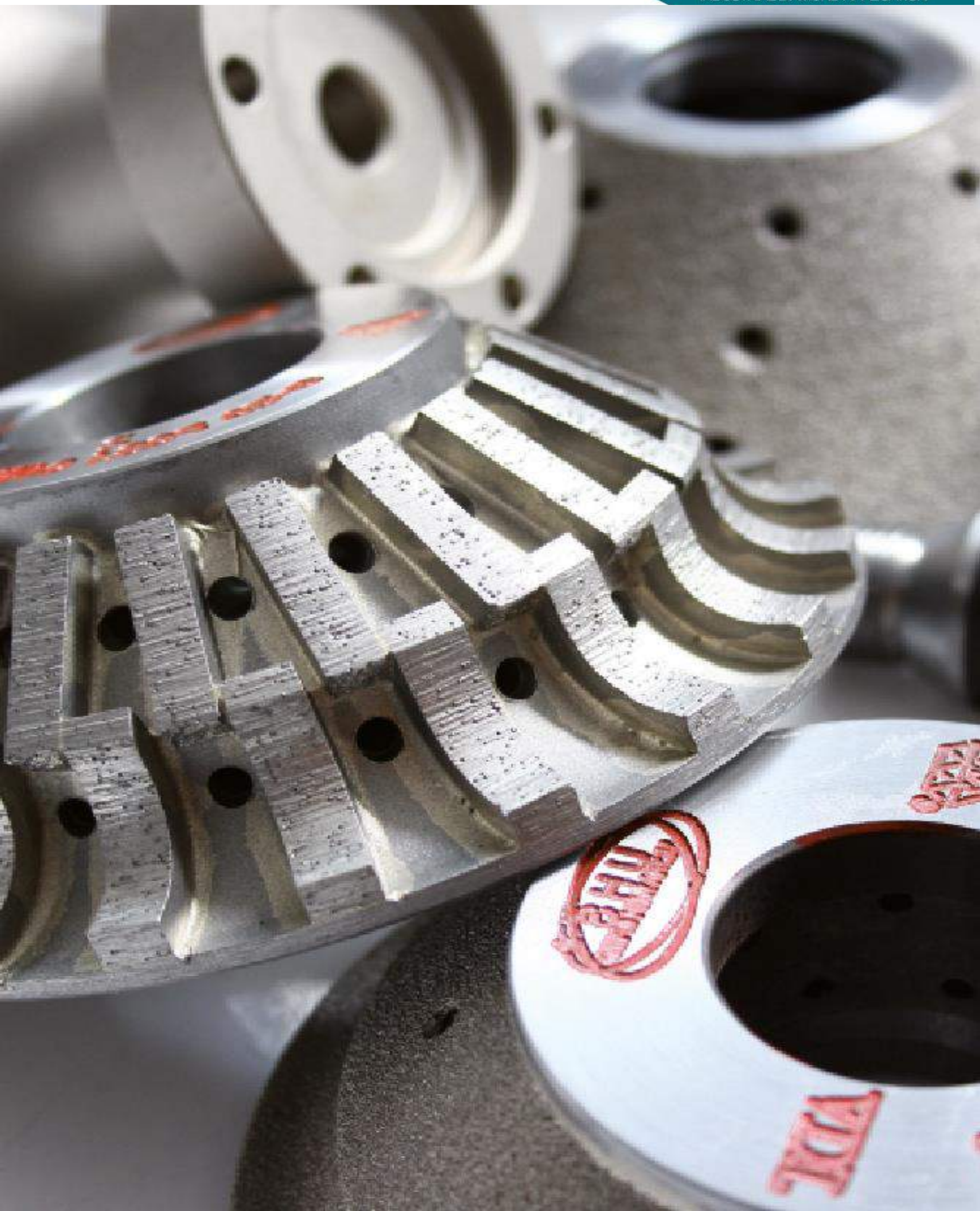
THE  
PERMANENT  
VALUE

ADI

INDUSTRIAL DIAMOND APPLICATION

ADVANCED **STONE**  
TOOL TECHNOLOGY

CNC blades 2019

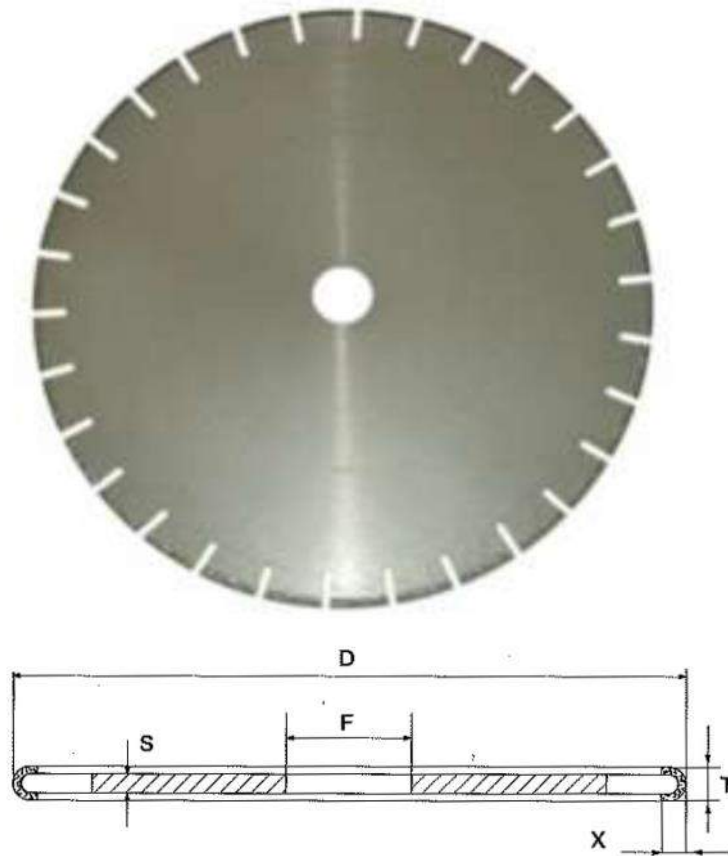


CNC  
DIAMOND  
BLADES

DISCHI  
DIAMANTATI  
CNC



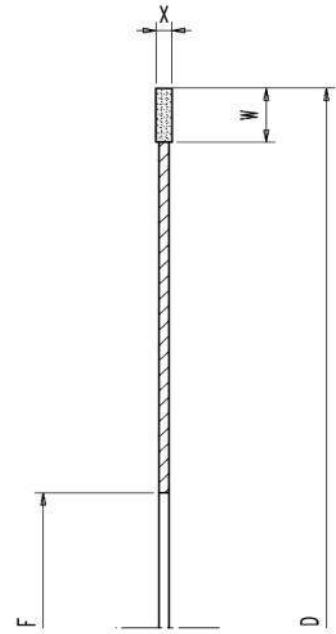
Electroplated Blades for **Marble**  
Dischi elettrolitici per **Marmo**



ADI CODE	DIMENSION [D]	Fitting [mm]	Core Thickness (S) [mm]	Diamond Thickness (T) [mm]	Diamond Height (X) [mm]	RPM	FEED [mm/min]
PF05090	240	30	1,8	3,0	3,0	3.500-4.000	300-600
PF05002	290	30	1,8	3,0	3,0	2.900-3.500	300-600
PF05016	340	30	2,2	3,4	3,5	2.500-3.000	300-600
PF05017	390	50/30	2,5	3,7	3,5	2.200-2.700	300-600
PF05143	440	50/30	2,8	4,0	3,5	1.800-2.300	300-600
PF05018	490	50/30	2,8	4,0	3,5	1.500-1.800	300-600
PF05144	540	50/30	3,5	4,5	3,5	1.300-1.500	300-600
PF05145	590	50/30	3,5	4,5	3,5	1.100-1.300	300-600

Segmented Diamond Blades for **Granite and Engineered Stone**

Dischi a settori diamantati per **Granito e Agglomerato**



**Granite**

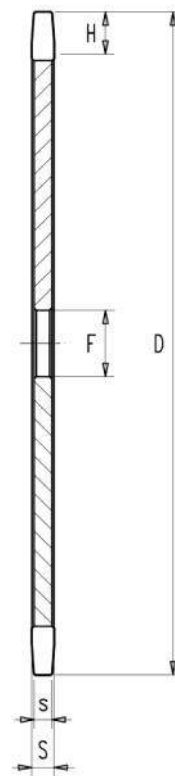
ADI CODE	DIMENSION [D]	Fitting [mm]	Machine	Diamond Thickness (X) [mm]	Diamond Height (W) [mm]	RPM	FEED [mm/min]
PH02119	150	22	Intermac	4	5	3.000-3.500	500-700
PH02155	150	25	Park Industries	4	5	3.000-3.500	500-700
PH02185	200	50	Denver/Thibaut	2,8	10	2.400-2.900	700-1.000
PH01032	210	28	Ravelli Teorema	2,8	10	2.400-2.900	700-1.000
PH02111	210	50	Brembana	2,8	10	2.400-2.900	700-1.000
PH02253	210	22,2	Bavelloni	3	10	2.400-2.900	700-1.000
PH02095	210	50	Breton	2,8	10	2.400-2.900	700-1.000
PH02148	260	50	Breton	2,8	10	2.000-2.300	700-1.000
PH02078	.350	50	Breton	3,2	10	1.500-1.800	800-1.200

**Engineered Stone**

PH02508	210	30	Intermac	2,8	10	2.400-2.900	700-1.000
PH02152	260	50	Breton	2,8	10	2.000-2.300	700-1.000
PH02151	350	50	Breton	3,2	10	1.500-1.800	800-1.200

Electroplated Saw Blades to Shape for **Marble**

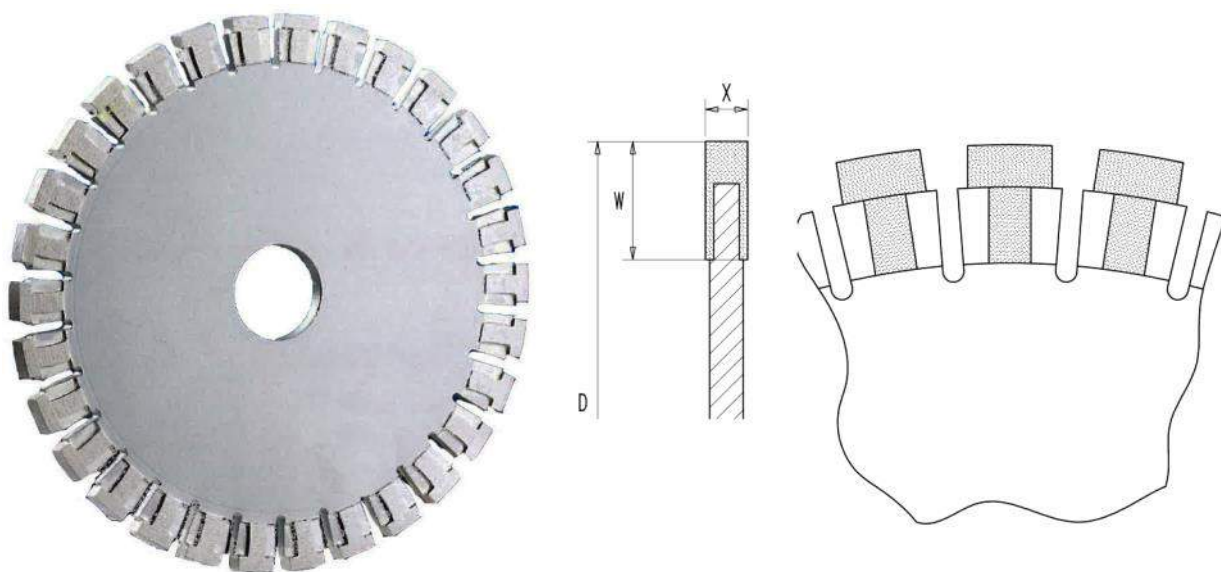
Disco da taglio elettrolitico per **Marmo**



ADI CODE	DIMENSION [D]	Fitting [F] [mm]	Core Thickness (S) [mm]	Head Thickness (s) [mm]	Diamond Height (H) [mm]	Diamond Grit	RPM
PF05516	300	50/30	10	8	19	D427	2.900-3.500
PF05508	350	50/30	10	8	19	D427	2.500-3.000
PF05517	400	50/30	11	8	20	D427	2.200-2.700
PF05524	450	50/30	12	9	20	D427	1.800-2.300
PF05525	500	50/30	14	11	20	D427	1.500-1.800
PF05515	300	50/30	10	8	19	D602	2.900-3.500
PF05520	350	50/30	10	8	19	D602	2.500-3.000
PF05507	400	50/30	11	8	20	D602	2.200-2.700
PF05509	450	50/30	12	9	20	D602	1.800-2.300
PF05510	500	50/30	14	11	20	D602	1.500-1.800

Segmented Saw Blades to Shape for **Marble** and **Granite**

Disco da taglio a settori per **Marmo** e **Granito**



ADI CODE	DIMENSION [D]	Fitting [F] [mm]	Head Thickness (X) [mm]	Diamond Height (W) [mm]	Material	RPM
PC10806	350	50	10	28	Marble	2.500-3.000
PC10804	400	50	10	28	Marble	2.200-2.700
PC10807	500	50	10	28	Marble	1.700-2.100
PC10501	350	50	10	28	Granite	1.400-1.800
PC10502	400	50	10	28	Granite	1.200-1.700
PC10511	500	50	10	28	Granite	1.000-1.300



**Diamond Blades General Purpose for **Marble** foro 60/50**

**Dischi diamantati per **Marmo** foro 60/50**



Code	Description
PK02341	1A1R SET Ø 350X3,3X7 Z=25 Narrow Slot Sandwich
PK02340	1A1R SET Ø 400X3,6X7 Z=28 Narrow Slot Sandwich
PK02270	1A1R SET Ø 500X4,4X7 Z=36 Narrow Slot Sandwich

**Diamond Blades Fast Cutting for **Granite** bore 60/50**

**Disco diamantato per taglio veloce su **Granito** foro 60/50**



Code	Description
PH02645	1A1R SET Ø370X3,0X15 Z=42 Narrow Slot Sandwich
PH02637	1A1R SET Ø420X3,4X15 Z=48 Narrow Slot Sandwich
PH02671	1A1R SET Ø470X3,8X15 Z=52 Narrow Slot Sandwich
PH02638	1A1R SET Ø520X3,8X15 Z=60 Narrow Slot Sandwich
PH02672	1A1R SET Ø570X4,5X15 Z=64 Narrow Slot Sandwich
PH02693	1A1R SET Ø620X4,5X15 Z=72 Narrow Slot Sandwich
PH02673	1A1R SET 640X4,5X15 Z=72 Narrow Slot Sandwich



[www.aditools.com](http://www.aditools.com)

**ADI**  
INDUSTRIAL DIAMOND APPLICATION  
a company of  
 **Surfaces Group**  
Absolute finishing

**ADI S.r.l.**  
Via dell'Economia, 12/16 - 36016 Thiene (VI) Italy  
Tel: +39.0445.360244 Fax: +39.0445.366862  
info@aditools.com - [www.aditools.com](http://www.aditools.com)

**ADI USA Inc.**  
1477 Connelly Springs Rd 28645 Lenoir  
North Carolina - USA  
Tel. 1-828-7284711 - Fax 1-828-7289613  
info@aditools-usa.com - [www.aditools-usa.com](http://www.aditools-usa.com)

**ADI Turkey**  
Baksan San. Sit. 31 - 26190 Eskisehir - Turkey  
Tel: + 90.533.3556077  
info@aditools.com - [www.aditurkey.com](http://www.aditurkey.com)