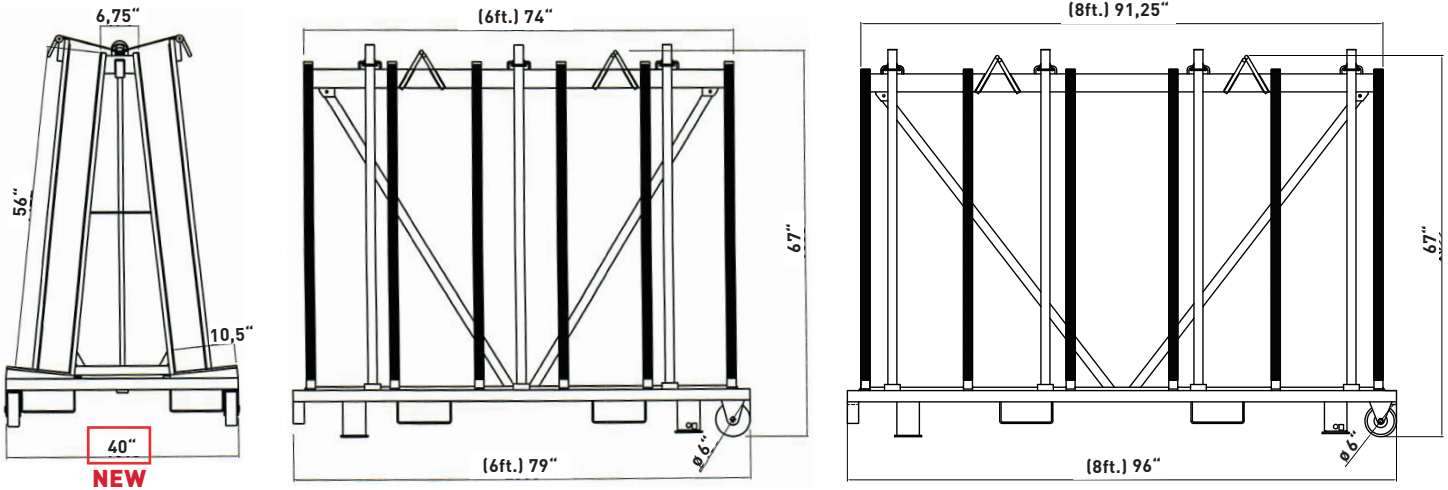


DIAREX



Diarex® A-Frame Transport Rack

Designed to store and transport sheet material such as granite, marble, engineered stone, glass, natural stone countertop, and island pieces. The Aardwolf Transport Frames are the most versatile frames on the market. They are the quickest frames to assemble and disassemble, with assembly time by one man taking approximately 5 minutes. Loaded frames can be moved around a factory or work site manually by one man. The fully loaded frame can be loaded on and offloaded from trucks by forklift.;

- Sturdy structure, designed to eliminate any risk of the slab tipping over
- Slabs are placed on special rubber profiles and secured with 6 locking bars together with ratchet straps to retain materials.
- The frame features 2 hooking points to be picked up by an overhead crane
- Reinforced with two oblique bars for the firm and secure construction
- Built-in forklift receivers on all sides for lifting by forklift
- The base and uprights come with replaceable white rubber to prevent marking and scratches.
- Counter-lever handle with wheels, allow the frame to be moved manually even when loaded.
- Counter-lever handle is used to jack uploaded frame and lower support legs when wheels are not required.
- Powder-coated finish, which ensures an aesthetic feature as well as the durability of the product
- Width of slab storage area on each side: 10,5" (268 mm) **(NEW)**

Before	Stock No.	Capacity	Size
750039	750339	2500kgs	6ft. [L=79" x W=40" x H=67"]
750122	750340	2500kgs	8ft. [L=96" x W=40" x H=67"]